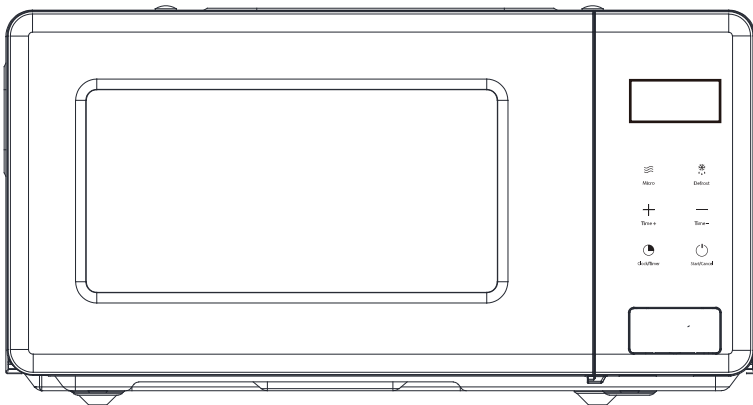


HEATi

M24SM1

Read the instructions carefully and keep for future reference



IMPORTANT SAFETY INSTRUCTIONS

WARNING:

When the appliance is operated in combination mode, children should only use the oven under adult supervision due to the high temperatures generated.

WARNING:

If the door or door seals are damaged, the oven must not be operated until it has been repaired by an authorized person.

WARNING:

It is hazardous for anyone other than an authorized person to carry out any service or repair operation that involves the removal of a cover that provides protection against exposure to microwave energy.

WARNING:

Liquids and other foods must not be heated in sealed containers, as they are liable to explode.

WARNING:

Only allow children to use the oven without supervision when adequate instructions have been given so the child can use the oven safely and understands the hazards of improper use.

WARNING:

The temperature of accessible surfaces may be high when the appliance is operating.

Only use utensils that are suitable for use in microwave ovens.

When heating food in plastic or paper containers, monitor the oven due to the risk of ignition.

If smoke is observed, switch off or unplug the appliance and keep the door closed to stifle any flames.

Microwave heating of beverages can result in delayed eruptive boiling; therefore, handle containers with care.

The contents of feeding bottles and baby food jars must be stirred or shaken, and the temperature checked before consumption, to avoid burns.

Eggs in their shell and whole hard-boiled eggs should not be heated in microwave ovens, as they may explode even after heating has ended.

The oven should be cleaned regularly, and any food deposits removed.

Failure to maintain the oven in a clean condition could lead to deterioration of the surface, adversely affecting the appliance's life and potentially resulting in a hazardous situation.

If the supply cord is damaged, it must be replaced by the manufacturer, its service agent, or similarly authorized persons to avoid a hazard.

WARNING: When the appliance is operated in combination mode, children should only use the oven under adult supervision due to the high temperatures generated. (Only for models with grill function)

WARNING: If the door or door seals are damaged, the oven must not be operated until it has been repaired by an authorized person.

WARNING: It is hazardous for anyone other than an authorized person to carry out any service or repair operation that involves the removal of a cover which protects against exposure to microwave energy.

WARNING: Liquids and other foods must not be heated in sealed containers, as they are liable to explode.

WARNING: Only allow children to use the oven without supervision when they have been given adequate instructions to use the appliance safely and understand the hazards of improper use.

The oven must have sufficient airflow. Leave at least 10 cm of space at the back, 15 cm on both sides, and 30 cm above the oven. Do not remove the oven's feet or block the air vents.

Only use utensils that are suitable for use in microwave ovens.

When heating food in plastic or paper containers, keep an eye on the oven due to the risk of ignition.

If smoke is observed, switch off or unplug the appliance and keep the door closed to smother any flames.

Microwave heating of beverages can result in delayed eruptive boiling. Handle containers with care.

The contents of feeding bottles and baby food jars should be stirred or shaken and checked for temperature before consumption, to avoid burns.

Eggs in their shell and whole hard-boiled eggs should not be heated in microwave ovens, as they may explode even after heating has ended.

When cleaning the door, door seals, or the oven cavity, use only mild, non-abrasive soaps or detergents with a soft cloth or sponge.

The oven should be cleaned regularly and any food deposits removed.

Failure to maintain cleanliness may result in surface deterioration, reducing the lifespan of the appliance and creating a hazardous situation.

If the power cord is damaged, it must be replaced by the manufacturer, its service agent, or similarly authorized persons to avoid any hazard.

SAFETY INSTRUCTIONS FOR GENERAL USE

To ensure safe and efficient operation of your microwave oven, follow these rules and safeguards:

Always have the glass tray, roller arms, coupling, and roller track in place during operation.

Do not use the oven for anything other than food preparation — do not use it to dry clothes, paper, or other non-food items, or for sterilization.

Do not operate the oven when empty, as this may damage the appliance.

Do not use the oven cavity for storage, including items like paper, cookbooks, or utensils.

Do not cook foods enclosed in a membrane (e.g. egg yolks, potatoes, chicken livers) without first piercing them several times with a fork.

SPECIFICATIONS M24SM1

Power consumption: 230V~50Hz, 1000W

Output: 450W

Operating Frequency: 2450MHz

Outside Dimensions: 427mm x 296mm x 223mm

Oven Capacity: 15 liters

Uncrated Weight: Approx. 10kg

Before you call for service

1. If the oven will not perform at all, the display does not appear or the display disappears:
 - a) Check to ensure that the oven is plugged in securely. If it is not, remove the plug from the outlet, wait 10 seconds and plug it in again securely.
 - b) Check the premises for a blown circuit fuse or a tripped main circuit breaker. If these seem to be operating properly, test the outlet with another appliance.
2. If the microwave power does not function:
 - a) Check to see whether the timer is set.
 - b) Check to make sure that the door is securely closed to engage the safety interlocks. Otherwise, the microwave energy will not flow into the oven.

IF NONE OF THE ABOVE RECTIFIES THE SITUATION, THEN CONTACT THE AUTHORIZED SERVICE AGENT.

RADIO INTERFERENCE

Microwave oven may cause interference to your radio, TV, or similar equipment. When interference occurs, it may be eliminated or reduced by the following procedures.

- a. Clean the door and sealing surface of the oven.
- b. Place the radio, TV, etc. as far away from your microwave oven as possible.
- c. Use a properly installed antenna for your radio, TV, etc. to get a strong signal reception.

INSTALLATION

1. Make sure that all packing materials are removed from the inside of the door.

2. Inspect the oven after unpacking for any visual damage such as:

- Misaligned door.
- Damaged door.
- Dents or holes in door window and screen.
- Dents in cavity.

If any of the above are visible:

DO NOT USE THE MICROWAVE OVEN.

3. This microwave oven weighs 10 kg and must be placed on a horizontal surface strong enough to support this weighs.

4. The oven must be placed away from high temperature and steam.

5. DO NOT place anything on top of the oven.

6. DO NOT remove the turntable drive shaft.

7. As with any appliance, close supervision is necessary when used by children.

Warning: This appliance must be earthed.

Caution: This oven is protected internally by AC 250V Amp Fuse.

1. The plug socket should be within easy reach of the power cord.

2. This oven requires 1.3VA for its input consultation with service engineer is suggested when installing the oven.

IMPORTANT

The wires in this mains lead are coloured in accordance with the following code:

Green and yellow: Earth
Blue: Neutral
Brown: Live

As the colours of the wires in the mains leads of the appliance may not correspond with the coloured markings identifying the terminals in your plug, proceed as follows:

The wire which is coloured green and yellow must be connected to the terminal in the plug which is marked with the letter E or by the earth symbol, coloured green or green and yellow

The wire which is coloured blue must be connected to the terminal which is marked with the letter N or coloured black.

The wire which is coloured brown must be connected to the terminal which is marked with the letter L or coloured red.

6. Do not insert any object into the openings on the outer case.

7. Do not at any time remove parts from the oven such as the feet, coupling, screws, etc.

8. Do not cook food directly on the glass tray. Place the food in/on proper cooking utensil before placing in the oven.

9. IMPORTANT-COOKWARE NOT TO USE IN YOUR MICROWAVE OVEN.

Do not use metal pans or dishes with metal handles.

-Do not use anything with metal trim.

-Do not use paper covered wire twist-ties on plastic bags.

-Do not use melamine dishes as they contain a material which will absorb microwave energy. This may cause the dishes to crack or char and will slow down the cooking speed.

10. Microwave utensils should be used only in accordance with manufacturer's instructions.

11. Do not attempt to deep-fry foods in this oven.

12. Please remember that a microwave oven only heats the liquid in a container rather than the container itself. Therefore, even though the lid of a container is not hot to the touch when removed from the oven, please remember that the food/liquid inside will be releasing the same amount of steam and/or spitting when the lid is removed as in conventional cooking.

13. Always test the temperature of cooked food yourself especially if you are heating or cooking food/liquid for babies. It is advisable never to consume food/liquid straight from the oven but allow it to stand for a few minutes and stir food /liquid to distribute heat evenly.

14. Food containing a mixture of fat and water, e.g.stock, should stand for 30-60 seconds in the oven after it has been turned off. This is to allow the mixture to settle and to prevent bubbling when a spoon is placed in the food/liquid or a stock cube is added.

15. When preparing/cooking food/liquid and remember that there are certain foods, e.g. Christmas puddings, jam and mincemeat, which heat up very quickly. When heating or cooking foods with a high fat or sugar content do not use plastic containers.

16. Cooking utensil may become hot because of heat transferred from the heated food. This is especially true if plastic wrap has been covering the top and handles of the utensil. Potholders may be needed to handle the utensil.

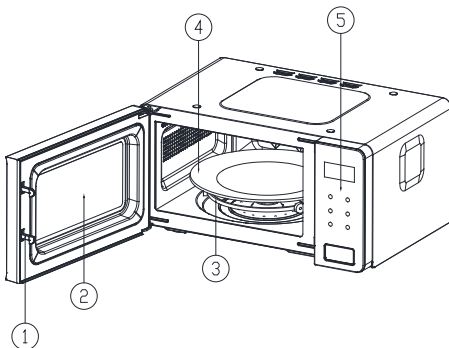
17. To reduce the risk of fire in the oven cavity:

(a) Do not overcook food. Carefully attend microwave oven if paper, plastic, or other combustible materials are placed inside the oven to facilitate cooking.

(b)Remove wire twist-ties from bags before placing bag in oven.

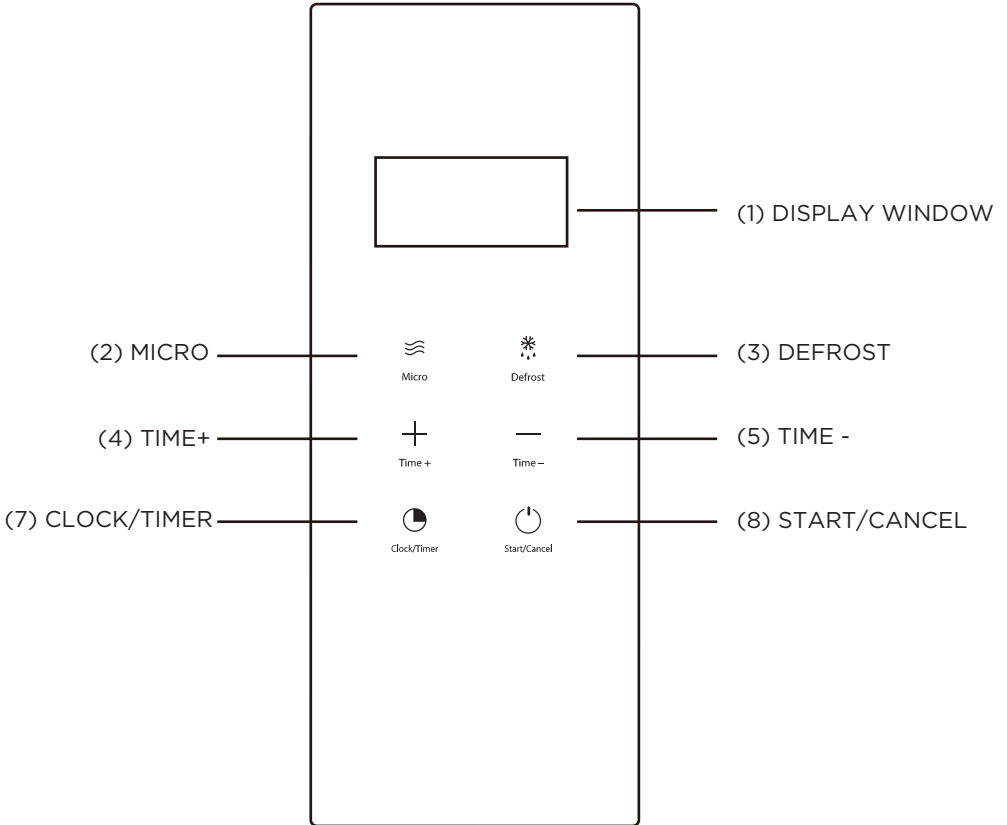
(c)If materials inside the oven should ignite, keep oven door closed, turn the oven off at the wall switch, or shut off power at the fuse or circuit breaker panel.

FEATURE DIAGRAM



- (1) Door safety lock system**
- (2) Oven window**
- (3) Roller ring**
- (4) Glass tray**
- (5) Control panel**

CONTROL PANEL



OPERATION INSTRUCTION

1. Simply touch "Start / Cancel" to begin cooking for 1 minute at 10% microwave power.
When cooking is complete, five beeps will sound as a reminder.

2. MICROWAVE COOKING

(A) Fast cooking method

(For example: Select 100% power to cook foods for 5 minutes.)

- a) Touch "Time+" and "Time-" button to set time "5:00"
- b) Touch "Start/Cancel" button

(B) Control by hand

(For example: Select 70% power to cook foods for 10 minutes)

- a) Touch "Micro" button to select 70% power.
- b) Touch "time+" or "time-" to set cooking time "10:00".
- c) Touch "Start/Cancel" button.

You can press "Micro" button to select power.

Step	Display	Micro power
1	P100	100%
2	P70	70%
3	P50	50%
4	P30	30%
5	P10	10%

3. AUTO WEGHT DEFROST FUNCTION

You need to press "Time+" and "Time-" according to the weight of the food. The oven can select defrosting program and auto start defrosting.

For example: defrost 0.4kg frozen foods

- 1) Press "Defrost" button to choose defrost function, display "dEF".
- 2) Set weight '0.4kg' by Touching 'Time+' and 'Time-' buttons.
- 3). Press "Start/Cancel" button.

Remark: the maximum weight is 2kg.

4. Child Safety Lock

To activate the child safety lock, touch “Time+” and “Time-” at the same time for 2 seconds.

5. Clock

The oven features a 24-hour digital clock.

To set the time (e.g., 16:40):

- a) Press “Clock/Timer” — the display will flash. Adjust the hour using the “Time Up” and “Time Down” buttons.
- b) Press “Clock/Timer” again, then adjust the minutes using “Time Up” and “Time Down.”
- c) Press “Clock/Timer” once more to confirm and set the time.
- d) To change the time later, repeat the above procedure.

6. Timer

This feature allows you to program the oven to start and finish cooking at a pre-set time.

Note: The clock must be set before using this function.

Example: The current time is 16:30, and you want to start cooking at 18:15 at 70% power for 10 minutes.

- a) Press “Clock/Timer” and set the time to 18:15 using the “Time Up” and “Time Down” buttons (same procedure as setting the clock).
- b) Press “Micro” to select 70% power.
- c) Set the cooking time to 10 minutes.
- d) Press “Start/Cancel.”

Note: If you do not set the power level and cooking time after programming the start time, the appliance will only function as a clock. At 18:15, 10 beeps will sound and the appliance will remain off.

7. Pause and Cancel

- 1) With the door open: Press “Start/Cancel” to cancel any setting or cooking program.
- 2) With the door closed:

Press “Start/Cancel” to start cooking after setting a program.

Press “Start/Cancel” to resume cooking if the program is paused.

Press “Start/Cancel” again to stop the microwave while it is operating.

CARE OF YOUR MICROWAVE OVEN

1. Turn the oven off and remove the power plug from the wall socket before cleaning.
2. Keep the inside of the oven clean. When food splatters or spilled liquids adhere to the oven walls, wipe with a damp cloth. The use of harsh detergents or abrasives is not recommended.
3. The outside oven surface should be cleaned with a damp cloth. To prevent damage to the operating parts inside the oven, water should not be allowed to seep into the ventilation openings.
4. Do not allow the control panel to become wet. Clean it with a soft, damp cloth. Do not use detergents, abrasives, or spray-on cleaners on the control panel.
5. If steam accumulates inside or around the outside of the oven door, wipe with a soft cloth. This may occur when the microwave oven is operated under high humidity conditions and does not indicate a malfunction.
6. It is occasionally necessary to remove the glass tray for cleaning. Wash the tray in warm, soapy water or in a dishwasher.
7. The roller ring and oven cavity floor should be cleaned regularly to avoid excessive noise. Simply wipe the bottom surface of the oven with mild detergent, water, or window cleaner and dry. The roller ring may be washed in mild soapy water or in a dishwasher.
8. Remove odors from your oven by placing one cup of water combined with the juice and skin of one lemon in a deep microwave-safe bowl. Microwave for 5 minutes, then wipe thoroughly and dry with a soft cloth.
9. When removing the roller ring from the cavity floor for cleaning, be sure to replace it in the proper position. Ensure that no residue affects the bottom surface or the wheels of the roller ring.
10. When it becomes necessary to replace the oven light, please consult an authorized dealer to have it replaced.